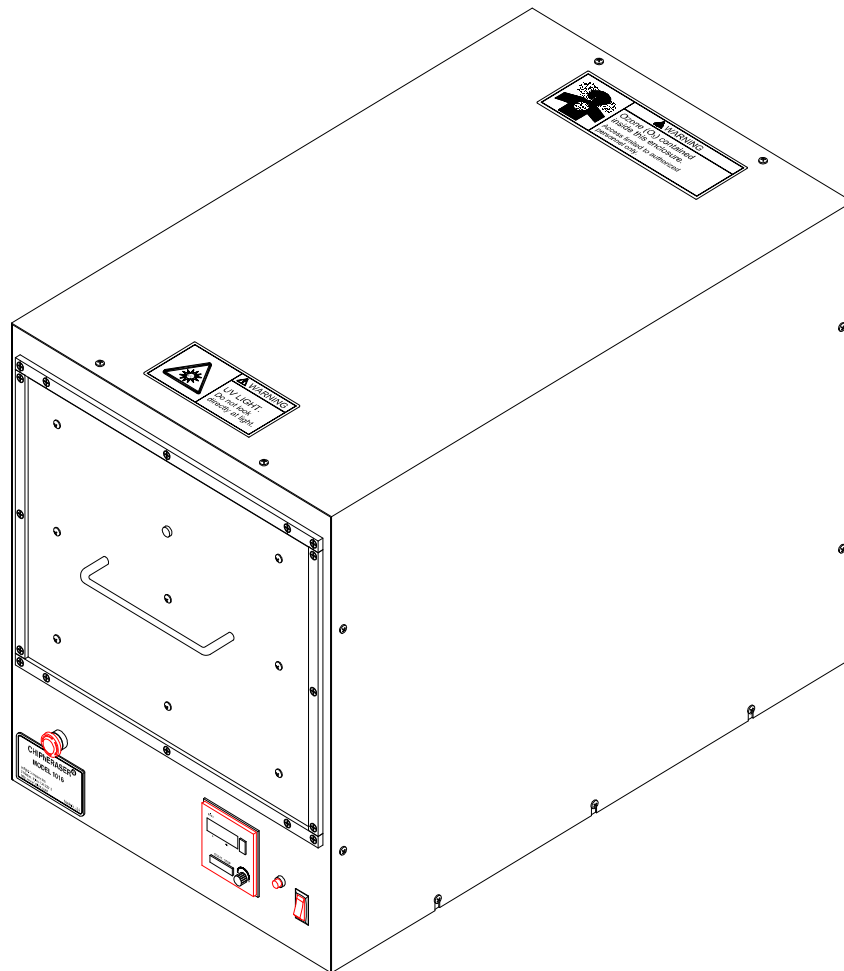


CHIPhERASER®

Model 1016

INSTRUCTION MANUAL



JELIGHT COMPANY, INC.

2 Mason

Irvine, CA 92618 U.S.A

Tel: (949)380-8774 Fax: (949)768-9457

E-mail: sales@jelight.com

CHIPHERASER®

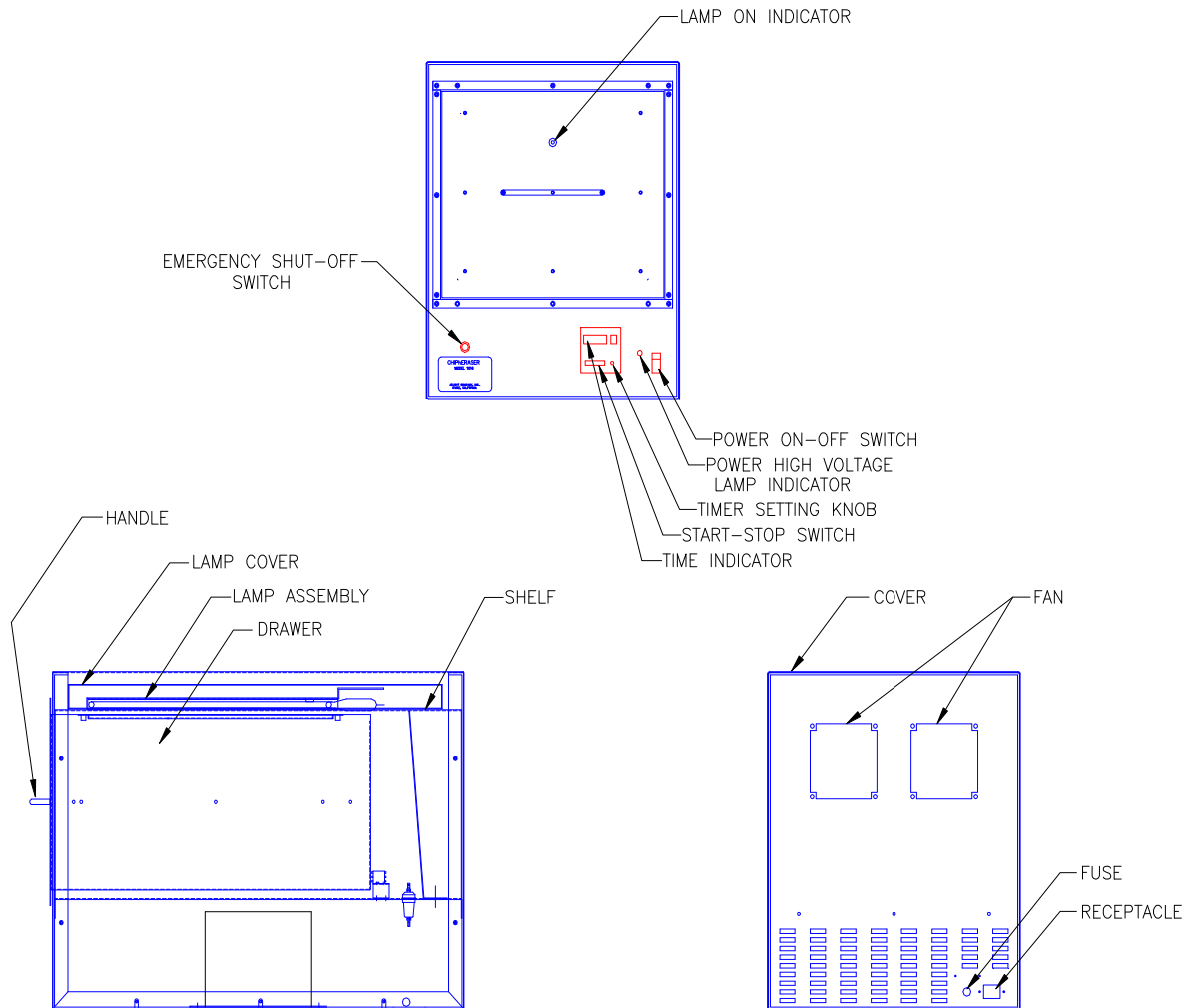
MODEL 1016

TABLE OF CONTENTS

INTRODUCTION	3
DESCRIPTION	4
LAMP ASSEMBLY	5
OPERATION	6
MAINTENANCE	7
TROUBLE SHOOTING	8
SPECIFICATIONS	9
SCHEMATIC	10

INTRODUCTION

The CHIPERASER[®] MODEL 1016 is a rugged, large capacity unit designed to provide many years of trouble-free service. The MODEL 1016 utilizes a low pressure mercury vapor grid lamp, which produces a higher intensity than most competitive systems.



WARNING:

Potentially fatal voltages exist within this machine. Never remove the cover while the main power cord is plugged into an electrical outlet.

The lamp in this unit emits harmful UV radiation; under no circumstances should the user be exposed to the UV source.

DESCRIPTION

The MODEL 1016 is equipped with a heavy-duty aluminum powder coated base, stainless steel cover, stainless steel drawer, and adjustable stainless steel product tray.

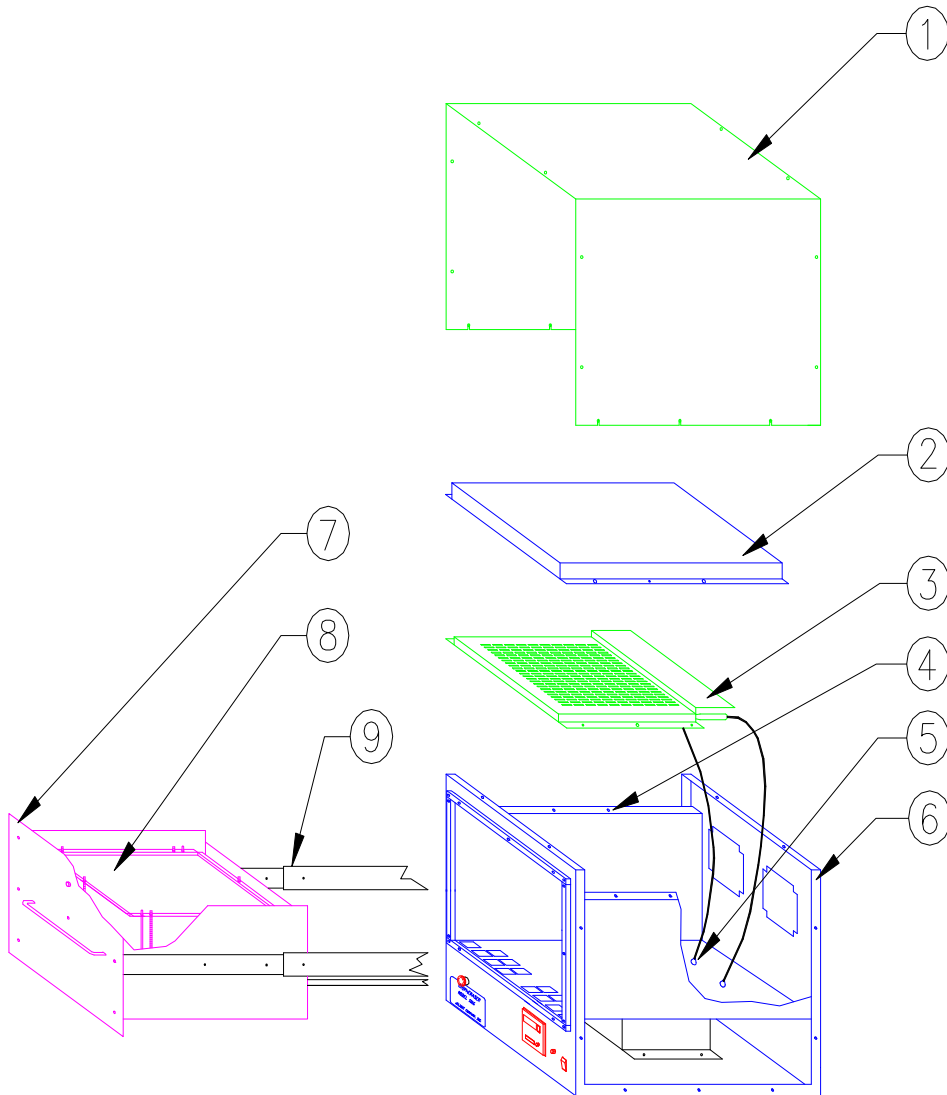


Figure 1

- | | | | |
|---|-------------------|---|------------|
| 1 | Cover | 2 | Lamp Cover |
| 3 | Lamp assembly | 4 | Shelf |
| 5 | Ceramic Feed-thru | 6 | Base |
| 7 | Drawer | 8 | Tray |
| 9 | Slide | | |

LAMP ASSEMBLY

Please see figure 1 to match corresponding reference numbers below.

To assemble the grid lamp in the unit, remove all #8-32 screws from housing cover (1).
Regan

Remove lamp cover (2).

Carefully place the lamp assembly facing down on top the housing's shelf (4). Secure lamp assemblies with the #8-32 x .30 long screws provided.

Connect the lamp wires to the ceramic feed-thru (5) located directly in front of the lamp assembly.

Place lamp cover (2) over lamp assembly and secure with the #8-32 x .30 long screws.

While pushing the cover interlock switch, place the cover on the unit (1).

Secure the cover with the #8-32 screws.

OPERATION

To operate the CHIPHERASER® MODEL 1016, first plug the power cord into the appropriate receptacle. The main power switch can then be turned on. At this time, the switch will light and the fans will start indicating power to the unit.

The removable tray is installed over guide pins in the drawer, which enable the user to adjust the height of the tray. Use these guide pins provided with the tray to set and adjust the height. The MODEL 1016 has a height clearance of 10 inches. The actual height of the tray should be determined by testing for optimum uniformity of UV.

Next, load the MFD onto the removable tray. After the tray is loaded, push the drawer of the unit closed. The magnetic catch provides resistance to insure that the drawer of the unit remains closed throughout operation.

To set the erasing time, turn the knob to the right of the display until the desired time is shown. Push the start/stop button to activate the timer. The power indicator will light, acknowledging that power is received by the lamp's power supply. The lamp will light, and will be visible through the UV indicator.

A clock built into the timer may be utilized when the power is left on. To set the clock, hold the button with the clock graphics down while turning the knob to the right of the display. To display the time, when the timer is not in use, press the clock button.

When the cycle is complete, the timer will sound an audible alarm and automatically extinguish the lamps. The drawer can then be opened, the tray removed, and the MFD unloaded. The timer need not be reset unless a different process time is necessary.

To prevent accidental exposure to harmful UV radiation, the cover and the drawer are safety interlocked. If either are opened or removed during operation, the lamps will automatically extinguish.

MAINTENANCE - USE EXTREME CAUTION!!!

The maintenance of the CHIPHERASER[®] MODEL 1016 requires the user to remove and clean the lamp assembly once every 100 hours of operation.

For optimum results, replace the lamp assemblies every 5,000 to 10,000 hours of operation. To install a new lamp assembly, refer to the section titled *Lamp Assembly*.

When installing a lamp assembly, use extreme CAUTION not to break the lamp.

TROUBLE SHOOTING

SYMPTOM: No Power To The Unit.

Check main power fuse = 10 amps.
Check cover interlock switch.

SYMPTOM: Timer Does Not Function With Power To The Unit.

Check drawer interlock switch.

SYMPTOM: Timer Functions, But UV Indicator Does Not Light.

Make sure the power indicator lamp is lit.
Replace lamp assemblies.
If this does not solve problem, please contact Jelight for assistance.

SPECIFICATIONS

Size (Max)	16.70" Width, 29.00" Depth, 20.00" Height
Power Requirements	125 Volts, 60 Hz, 10Amps
Lamp	Low Pressure Mercury Vapor Grid
Lamp Output	50,000 Micro Watts Per Cm ² @ 1"(From 6mm Dist)
Tray Size	10" Width x 16" Depth Erasing Area.

