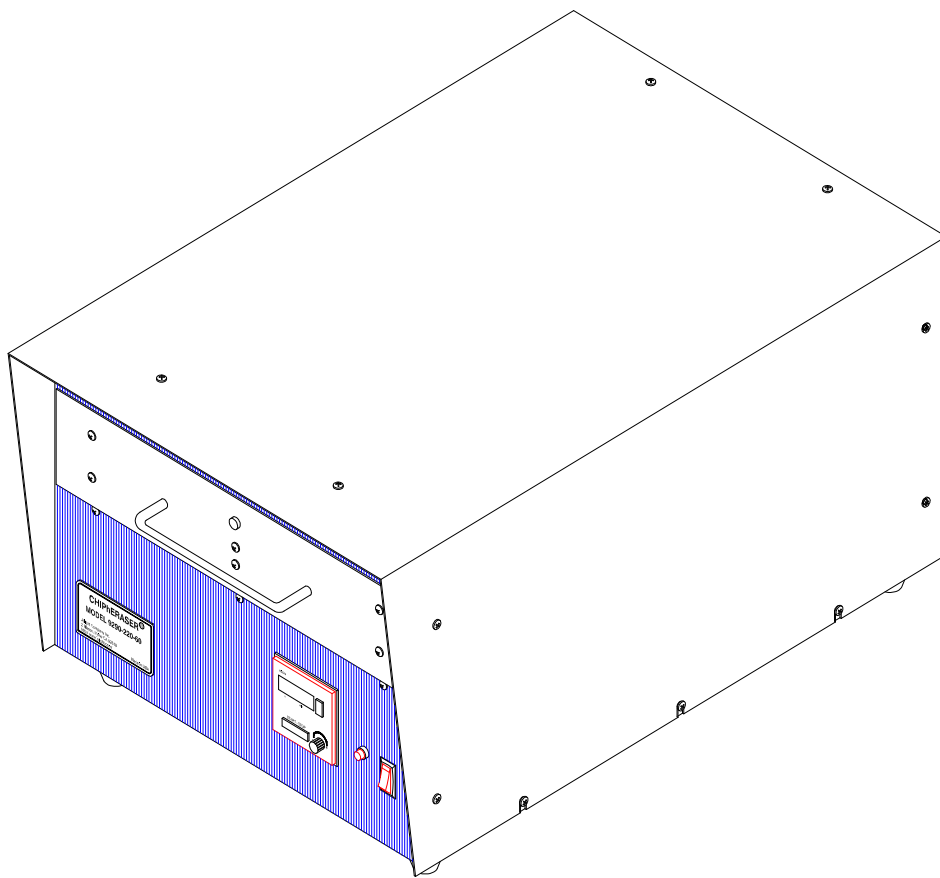


# CHIPHERASER<sup>®</sup>

## Model 9290

### INSTRUCTION MANUAL



## JELIGHT COMPANY, INC.

2 Mason

Irvine, CA 92618 U.S.A.

- Tel: (949)380-8774 Fax: (949)768-9457
- E-mail: [jci12@jelight.co](mailto:jci12@jelight.co)

# **CHIPhERASER®**

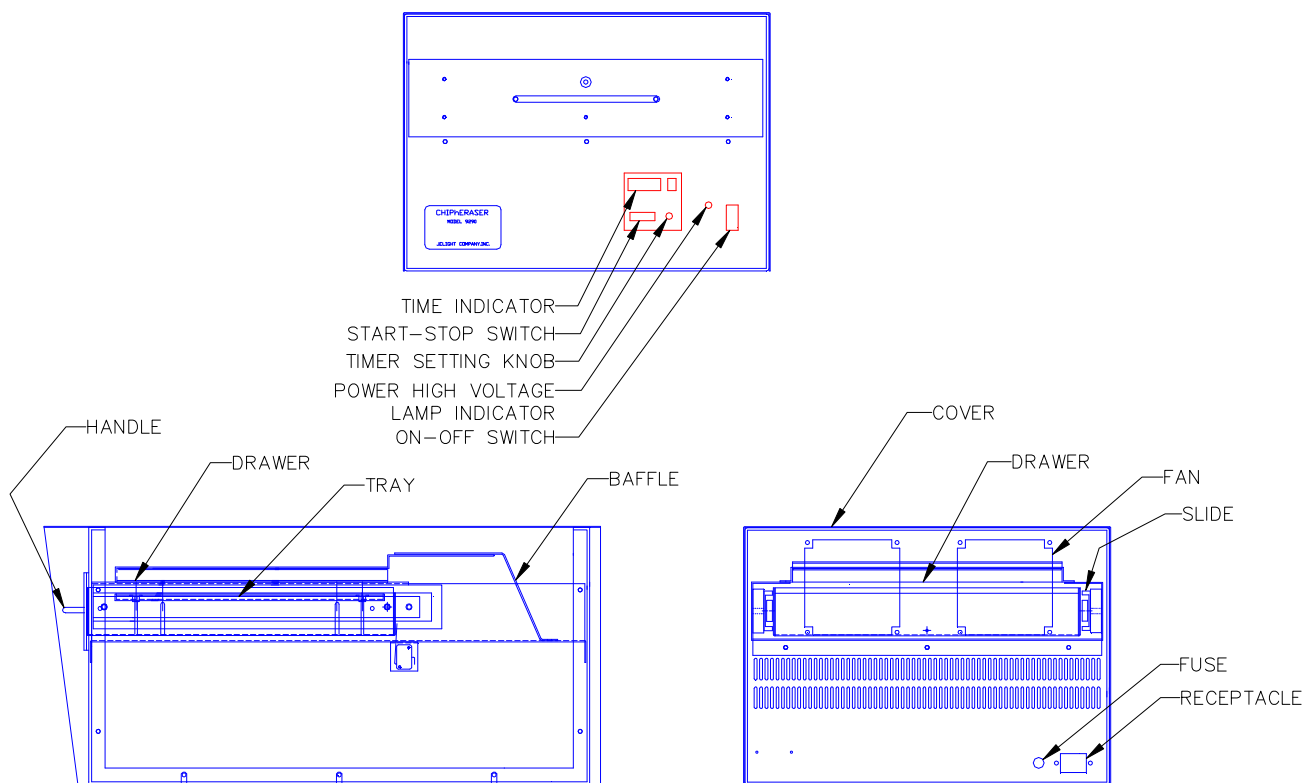
## **MODEL 9290**

### **TABLE OF CONTENTS**

INTRODUCTION	3
DESCRIPTION	4
OPERATION	5
MAINTENANCE	6
TROUBLE SHOOTING	7
SPECIFICATION	8
SCHEMATIC	9

## INTRODUCTION

The CHIPHERASER<sup>®</sup>, MODEL 9290 is a rugged, large capacity unit designed to provide many years of trouble-free service. The MODEL 9290 utilizes low-pressure mercury vapor grid lamps, which produces higher intensity than most competitive systems, allowing for greater efficiency in production.



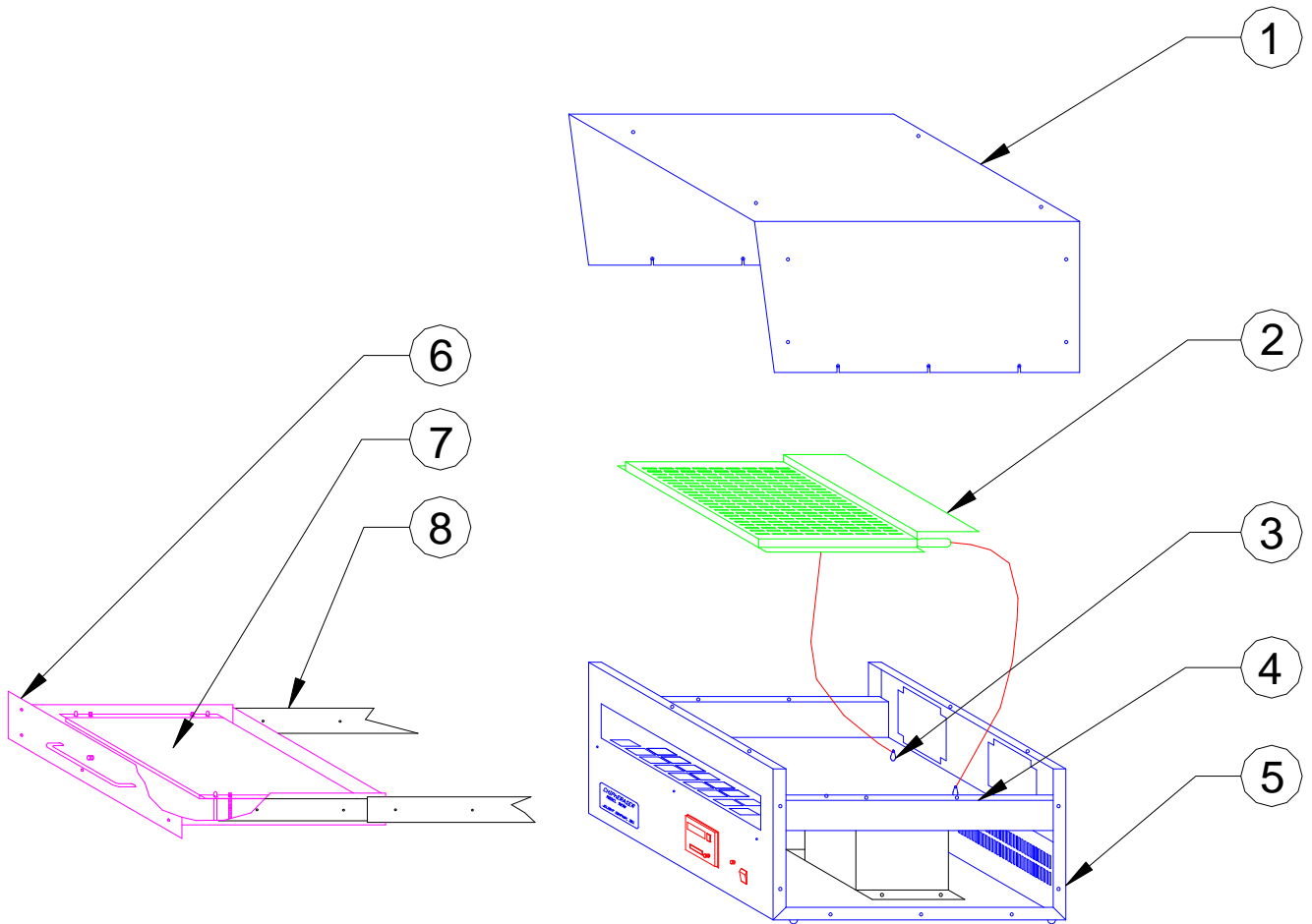
### **WARNING:**

Potentially fatal voltages exist within this machine. Never remove the cover while the main power cord is plugged into an electrical outlet.

The lamp in this unit emits harmful UV radiation; under no circumstances should the user be exposed to the UV source.

## DESCRIPTION

The MODEL 9290 is equipped with a heavy-duty aluminum powder coated base, stainless steel cover, stainless steel drawer, and adjustable stainless steel product tray.



- 1 Cover
- 3 Ceramic Feed-thru
- 5 Base
- 7 Tray

- 2 Lamp Reflector Shelf
- 4 Shelf
- 6 Drawer
- 8 Slides

## **OPERATION**

To operate the MODEL 9290, first plug the power cord into the appropriate receptacle. The main power switch can then be turned on. The power switch will light indicating power to the unit.

Next, load the EPROMs onto the removable tray. After the tray is loaded, push the drawer of the unit closed. The magnetic catch provides resistance to insure that the drawer of the unit remains closed throughout operation.

The removable tray is installed over guide pins in the drawer, which enable the user to adjust the height of the tray. Use the knurled knob screws provided with the tray to set and adjust the height. The actual height of the tray should be determined by measuring for optimum uniformity of UV.

To set the erasing time, turn the knob on the timer to the right until the desired time is shown. Push the start/stop button to activate the timer. The power indicator lamp will light acknowledging that the lamp power supplies receive power. The lamps will then light and will be visible through the UV indicator on the front of the machine. The fans will automatically turn on at the same time.

A clock built into the timer may be utilized whenever the unit is plugged in. To set the clock, hold the button with the clock graphics down while turning the knob to the right. To display the time, when the timer is not in use, press the clock button.

When the cycle is complete, the timer will sound an audible alarm and automatically extinguish the lamps. The drawer can then be opened, the tray removed, and the parts unloaded. The timer need not be reset unless a different process time is necessary, pressing the start button once will reset the timer to the previously set time.

To prevent accidental exposure to harmful UV radiation, the cover and the drawer are safety interlocked. If either are opened or removed, the lamps will automatically extinguish.

## **MAINTENANCE - USE EXTREME CAUTION!!!**

For optimum results, replace the lamp assembly every 5,000 to 10,000 hours of operation.

**To remove the lamp assembly,** disconnect the main power cord first. Remove the screws retaining the cover, and carefully lift off. Next, loosen the top portion of the feed-thru screws. Disconnect the lamp connectors from the feed-thrus. Remove the screws that secure the lamp assembly in place. Carefully lift the lamp assembly out, using caution not to break off the electrodes.

**To install the new lamp assembly,** disconnect the main power cord first. Remove the screws retaining the cover. Loosen the top portion of the feed-thru screws. Insert the lamp on the shelf using the provided screws. Tighten the screws to secure the lamp assembly in place. Attach the lamp connector to the appropriate feed-thru. Replace the machine cover and be sure the interlock switch is inside the cover.

### **WARNING:**

USE EXTREME CAUTION WHEN CHANGING LAMPS. BE SURE THE PLUG IS OUT OF THE UNIT AT ALL TIME WHEN THE UNIT IS OPEN. NEVER LOOK DIRECTLY INTO THE LAMP WHEN IT IS BURNING. BE VERY CAUTIOUS NOT TO BREAK THE LAMP WHEN YOU ARE INSTALLING OR REMOVING IT....

## **TROUBLE SHOOTING**

### **SYMPTOM: No Power To The Unit.**

- Check the main power plug; it could be loose or bad. (30 Amps)
- Check the main power fuse to ensure it hasn't blown out.(10 Amps)
- Check the cover interlock switch to make sure it is totally inset.

### **SYMPTOM: Timer Does Not Function With Power To The Unit.**

- Check drawer interlock switch by listening while closing and opening the drawer to make sure it is engaging properly.

### **SYMPTOM: Timer Functions, But UV Indicator Does Not Light.**

- Make sure the power indicator lamp is lit.
- Check the lamp assembly for any breaks or damage.

If the unit is still not functioning properly or doesn't work at all, please call the factory immediately.

## SPECIFICATIONS

Size (Max)	17.00" W, 26.00" D, 13.00" H
Power Requirements	110 Volts, 60 Hz.
Lamp	Low Pressure Mercury Vapor Grids
Lamp Output	50,000 Micro Watts Per Cm <sup>2</sup> @ 1" (From 6mm Dist.)
Tray Size	12" Width x 12" Depth Erasing Area

